

## PCV 4/ 4-G-7,62

Order No.: 1804700

The figure shows a 5-pos. version of the product

<http://eshop.phoenixcontact.de/phoenix/treeViewClick.do?UID=1804700>Header, nominal current: 20 A, rated voltage: 400 V, pitch: 7.62 mm,  
no. of positions: 4, mounting: Soldering

### Commercial data

EAN	4017918046149
Pack	50 Pcs.
Customs tariff	85366990
Weight/Piece	0.009528 KG
Catalog page information	Page 327 (CC-2007)

### Product notes

WEEE/RoHS-compliant since:  
01/01/2003

<http://www.download.phoenixcontact.com>  
Please note that the data given here has been taken from the online catalog. For comprehensive information and data, please refer to the user documentation. The General Terms and Conditions of Use apply to Internet downloads.

### Technical data

#### Dimensions / positions

Pitch	7.62 mm
Number of positions	4
Pin dimensions	1 x 0,8 mm

### Technical data

Insulating material group	IIIa
Rated surge voltage (III/3)	6 kV
Rated surge voltage (III/2)	6 kV
Rated surge voltage (II/2)	6 kV
Rated voltage (III/2)	630 V
Rated voltage (II/2)	630 V
Connection in acc. with standard	EN-VDE
Nominal current $I_N$	20 A
Nominal voltage $U_N$	400 V
Maximum load current	20 A
Insulating material	PBT
Inflammability class acc. to UL 94	V0

### Certificates / Approvals



#### CSA

Nominal voltage $U_N$	300 V
Nominal current $I_N$	20 A

#### CUL

Nominal voltage $U_N$	300 V
Nominal current $I_N$	35 A

#### UL

Nominal voltage $U_N$	300 V
Nominal current $I_N$	35 A
Certification	BV, CSA, CUL, DNV, GL, GOST, LR, RS, UL

### Accessories

Item	Designation	Description
------	-------------	-------------

#### Assembly

1827570	BF-PC 4	Mounting flange, is snapped onto the left and right of the headers, for screw connection with PC 4/...-STF-7.62
---------	---------	---

**Marking**

1051993	B-STIFT	Marker pen, for manual labeling of unprinted Zack strips, smear-proof and waterproof, line thickness 0.5 mm
0804549	SK 7,62/3,8:FORTL.ZAHLEN	Marker card, printed horizontally, self-adhesive, 10-section marker strip, 12 identical decades marked 1-10, 11-20 etc. up to 91-99, sufficient for 120 terminal blocks
0805153	SK 7,62/3,8:SO	Marker card, special printing, self-adhesive, labeled acc. to customer requirements, 12 identical marker strips per card, max. 25-position labeling per strip, color: white
0803906	SK U/3,8 WH:UNBEDRUCKT	Unprinted marker cards, DIN A4 format, pitch as desired, self-adhesive, with 40 stamped marker strips, 185 mm strip length, can be labeled with the CMS system or manually with the M-PEN

**Plug/Adapter**

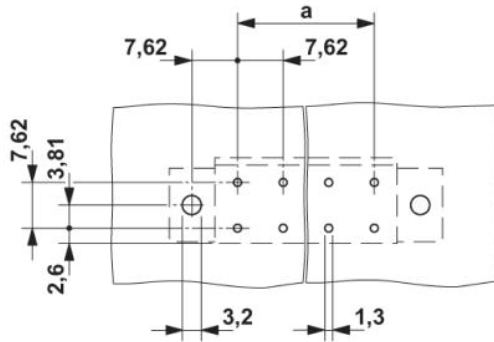
1600027	CP-HCC 4	Coding profile, is inserted into the slot on the plug and header, red insulating material
---------	----------	---

**Additional products**

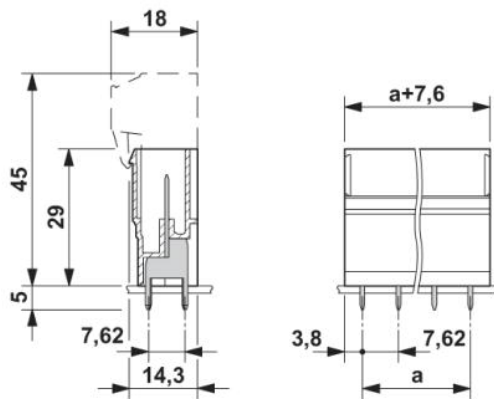
Item	Designation	Description
<b>General</b>		
1848915	PC 4 HV/ 4-ST-7,62	Plug component, nominal current: 20 A, rated voltage: 800 V, pitch: 7.62 mm, no. of positions: 4, type of connection: Screw connection
1882395	PC 4 HV/ 4-STF-7,62	Plug component, nominal current: 20 A, rated voltage: 800 V, pitch: 7.62 mm, no. of positions: 4, type of connection: Screw connection
1804920	PC 4/ 4-ST-7,62	Plug component, nominal current: 20 A, rated voltage: 400 V, pitch: 7.62 mm, no. of positions: 4, type of connection: Screw connection
1828265	PC 4/ 4-STF-7,62	Plug component, nominal current: 20 A, rated voltage: 400 V, pitch: 7.62 mm, no. of positions: 4, type of connection: Screw connection
1840175	PCC 4/ 4-ST-7,62	Plug component, nominal current: 20 A, rated voltage: 400 V, pitch: 7.62 mm, no. of positions: 4, type of connection: Crimp connection

## Drawings

### Drilling diagram



### Dimensioned drawing



**Address**

PHOENIX CONTACT Inc., USA  
586 Fulling Mill Road  
Middletown, PA 17057, USA  
Phone (800) 888-7388  
Fax (717) 944-1625  
<http://www.phoenixcon.com>



© 2008 Phoenix Contact  
Technical modifications reserved;